



**For Security
Zoom**

Applicable camera (model)

D22x9.1B-S41

1	2/3	1/2	1/3	1/4
---	-----	-----	-----	-----

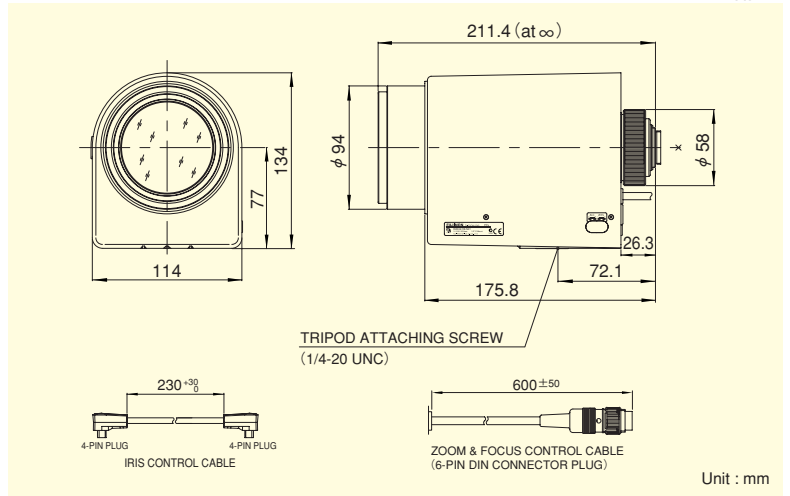
22x



*Photograph is a similar model.

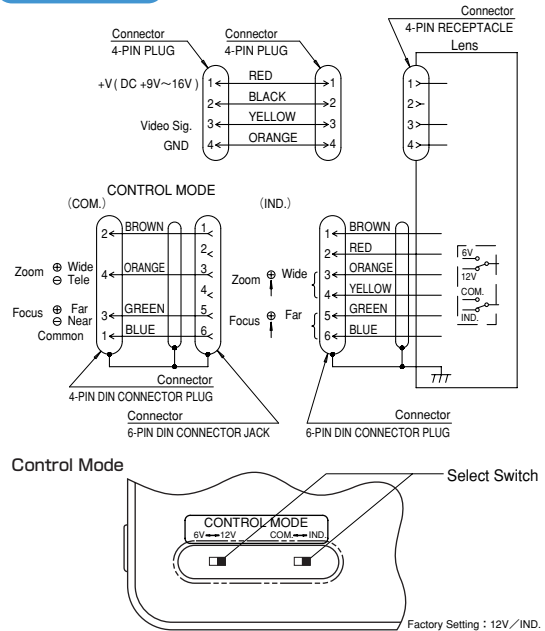
ZOOM Zoom
 WIDE Wide Angle
 TELE Telephoto Long Focal
 MOTOR DRIVE Motor Drive
 VIDEO Video Auto Iris
 C-mt C Mount
 METAL Metal Mount
ND ND Filter
F1.2 Wide Aperture Rate

- Achieved telephoto at the field angle of 1°50', best suited for long-distance monitoring such as disaster prevention (when used on 1/2" cameras)
- With the amazing brightness of F1.2, reproducing the good image quality over the entire visible light range
- Multiple power supply (6V, ±6V, 12V, ±12V) supported, enabling the use of existing control systems
- Compatible with a wide range - 1/2", 1/3" and 1/4" - cameras
- Built-in ND filter of T1500, supporting super sensitive cameras



Focal Length (mm)		9.1~200 (22x)	
Iris Range		F1.2 ~ T1500 (Equivalent to F1500)	
Operation	Zoom	Motor Drive	
	Focus	Motor Drive	
	Iris	Auto (Video Type)	
Angle Of View (HXV)	1/2"	WIDE	38°45' × 29°33'
		TELE	1°50' × 1°23'
	1/3"	WIDE	29°33' × 22°23'
		TELE	1°23' × 1°02'
	1/4"	WIDE	22°23' × 16°53'
		TELE	1°02' × 0°46'
Focusing Range (From Front Of The Lens) (m)		∞ ~ 3	
Object Dimensions at M.O.D. (HXV) (mm)	1/2"	WIDE	2034 × 1526
		TELE	93 × 69
	1/3"	WIDE	1526 × 1144
		TELE	69 × 52
1/4"	WIDE	1144 × 858	
	TELE	52 × 39	
Back Focal Distance (in air) (mm)		24.05	
Exit Pupil Position (From Image Plane) (mm)		-676	
Filter Thread (mm)		M82 × 0.75	
Mount		C	
Mass (kg)		2.3	
Standard Accessories		Iris Control Cable Conversion Cable (6-pin→4-pin) Connection Connector (4-pin, 6-pin)	
Remarks		• With Metal Mount	

Wiring



Controller output	Select switch position	Conversion cable (Standard accessory)
6V	6V / IND.	Not necessary
±6V	6V / COM.	Necessary
12V	12V / IND.	Not necessary
±12V	12V / COM.	Necessary

Accessories

Extender

Model	Magnification
HE15-1	1.5X
HE20-1	2X

Control Unit

Model	CRD-2A	CRD-2B
Operation	Zoom, Focus	
Power Source	AC 100V/120V/220V/240V 50/60Hz	

AC Power Cord

Japan	PCA-1
U.S.A./Canada	PCA-2
Continental Europe	PCA-3
Australia	PCA-4
Without AC Plug	PCA-5

Extension Cable

CRD-2A	CEC-AA102-11 (10m)	CEC-AA202-11 (20m)
CRD-2B	CEC-AB102-11 (10m)	CEC-AB202-11 (20m)



**For Security
Zoom**

Applicable camera (model)

D22×9.1B-Y41

1	2/3	1/2	1/3	1/4
---	-----	-----	-----	-----

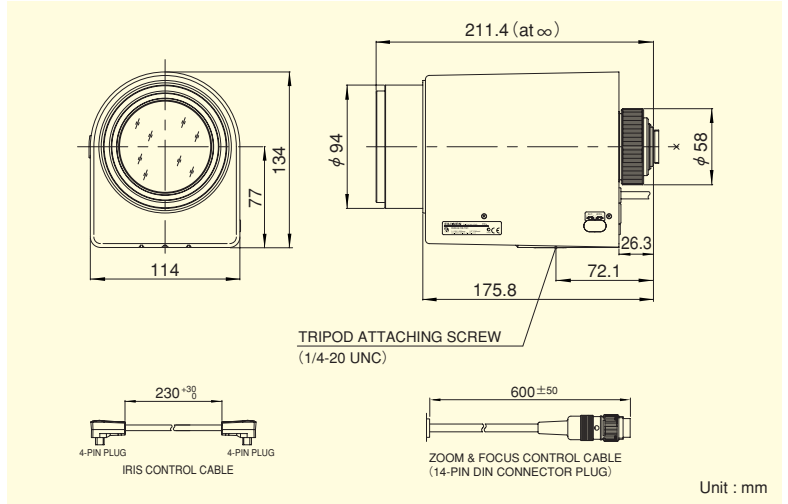
22x



*Photograph is a similar model.

- Achieved telephoto at the field angle of 1°50', best suited for long-distance monitoring such as disaster prevention (when used on 1/2" cameras)
- With the amazing brightness of F1.2, reproducing the good image quality over the entire visible light range
- Multiple power supply (6V, ±6V, 12V, ±12V) supported, enabling the use of existing control systems
- Built-in potentiometer, supporting the preset-enabled specification
- Compatible with a wide range - 1/2", 1/3" and 1/4" - cameras
- Built-in ND filter of T1500, supporting super sensitive cameras

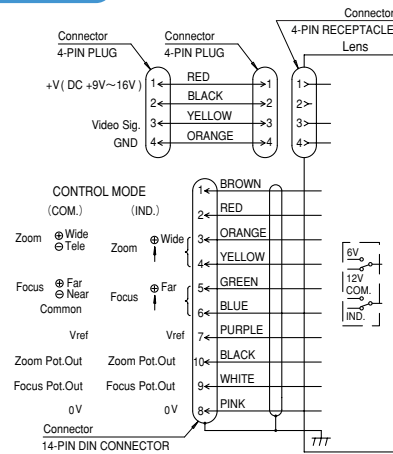
ZOOM Zoom	WIDE Wide Angle	TELE Telephoto Long Focal	MOTOR DRIVE Motor Drive	VIDEO Video Auto Iris	C-mt C Mount	METAL Metal Mount
PRESET Potentiometer	ND ND Filter	F1.2 Wide Aperture Rate				



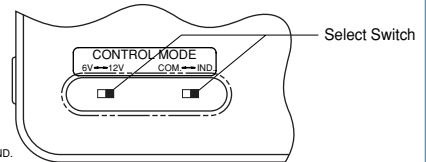
ZOOM LENSES

Focal Length (mm)		9.1~200 (22x)	
Iris Range		F1.2 ~ T1500 (Equivalent to F1500)	
Operation	Zoom	Motor Drive	
	Focus	Motor Drive	
	Iris	Auto (Video Type)	
Angle Of View (H×V)	1/2"	WIDE	38°45' × 29°33'
		TELE	1°50' × 1°23'
	1/3"	WIDE	29°33' × 22°23'
		TELE	1°23' × 1°02'
	1/4"	WIDE	22°23' × 16°53'
		TELE	1°02' × 0°46'
Focusing Range (From Front Of The Lens) (m)		∞ ~ 3	
Object Dimensions at M.O.D. (H×V) (mm)	1/2"	WIDE	2034 × 1526
		TELE	93 × 69
	1/3"	WIDE	1526 × 1144
		TELE	69 × 52
	1/4"	WIDE	1144 × 858
		TELE	52 × 39
Back Focal Distance (in air) (mm)		24.05	
Exit Pupil Position (From Image Plane) (mm)		-676	
Filter Thread (mm)		M82 × 0.75	
Mount		C	
Mass (kg)		2.3	
Standard Accessories		Iris Control Cable	
Remarks		• With Metal Mount	

Wiring



Control Mode



Controller output	Select switch position
6V	6V/IND.
±6V	6V/COM.
12V	12V/IND.
±12V	12V/COM.

Accessories

■ Extender

Model	Magnification
HE15-1	1.5X
HE20-1	2X